



THE PORCH STORE
UNIQUE PORCH COMPONENTS

SCREEN DOOR INSTALLATION

tips & suggested hardware for hinged doors

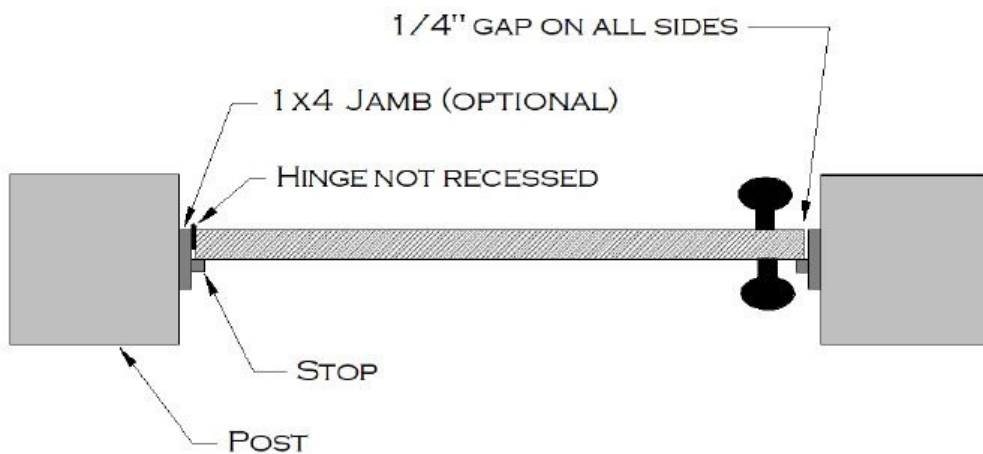
When installing a screened door, or any door, you want to make sure your opening is square and plumb. This makes installation so much easier. If you find your opening is not so perfect, just make sure you have an experienced carpenter on hand!

Installation Tips:

Following are some tips for how we install a screen door for our porch clients in Nashville, TN.

Our screen doors have an inside and an outside. Inside has the screen stop and on the outside you will notice that the ledges are beveled to drain water.

We like to add a 1x4 on either side of our posts to use as a jamb on which to hang the door. This is not essential but will allow the door to be centered under the header.



We also prefer to swing the doors to the inside to help protect the door from the rain. If you do swing to the outside, we add an aluminum cap over the door.

Allow the doors to acclimate to the site for a few days prior to fitting and installing.

When storing the doors, keep as vertical as possible. Lean doors on even, balanced points of contact (such as a wall).

The doors must be sealed on all sides - especially top and bottom. Seal prior to screening.



When fitting the doors, look for any bowing or warping. This should be very minimal and can generally be corrected by making sure hinges are aligned. Adjust stops to meet the shape of the door after door is hung.

Our doors have no metal fasteners so they may be planed on all sides if needed to fit the opening.

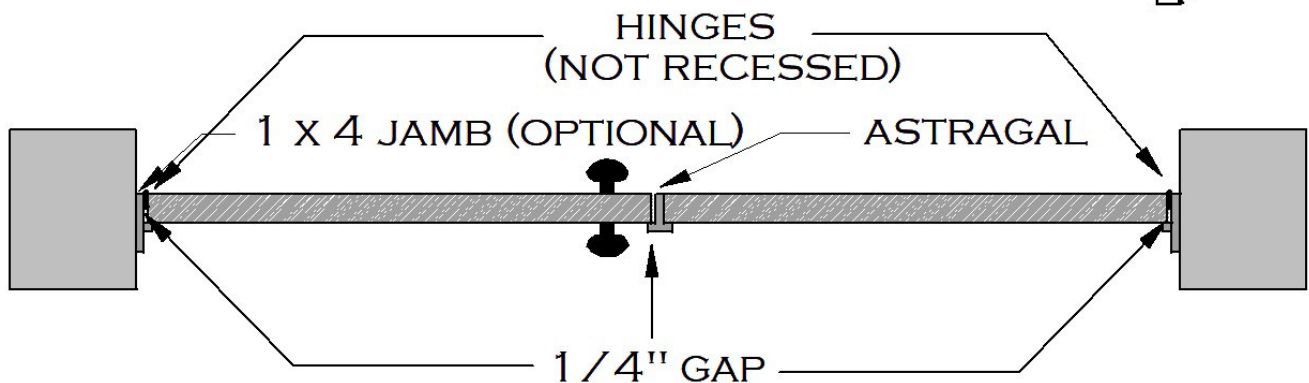
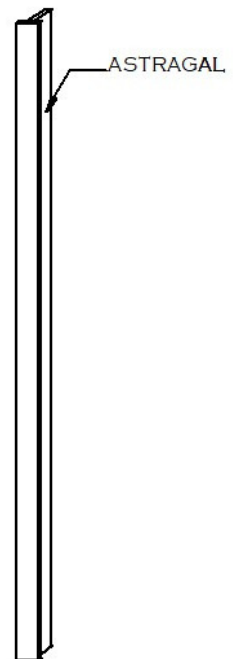
Leave a gap around the door - no less than 1/8", no more than 5/16". These are wood doors and they will move with the weather.

We use 3 hinges per door. On the active door, we use two spring loaded hinges.

We do not recess our hinges. The stops placed on the outside of the doors conceals this gap. If the door does expand, you can then recess the hinge to allow for the expansion without having to cut off the door.

We install the strike plate recessed and flush with the door jamb. This can be shimmed or moved up or down to accommodate door latch if necessary.

For double doors - We provide you with a T-Astragal which is to be attached to your stationary door. Note, once installed, there should be no less than 1/8" and no more than 5/16" gap between the astragal and the active door. The swing of your active door will determine which direction the astragal will be installed. (See example below)





Hardware for Screen Doors

We try and make it easy for our clients by leading you to an online hardware store which even has a Porch Company custom page:

<http://www.completehomehardware.com/the-porch-co-screen-door-hardware-package/>

Our suggestion is that you use 2 spring loaded hinges on the active door plus one standard hinge. So for a double door you will still only have the 2 spring loaded hinges, but you would have 4 standard hinges (1 for the active door and 3 for the inactive door). Plus, for a double door, you will need 2 surface bolts. *We recommend pre-drilling starter holes for hinge screws.

Complete Home Hardware's Porch Company package includes the following:

Single Door:

- 1 - 4" x 4" square corner hinge
- 2 - 4" x 4" square adjustable spring loaded hinges
- 1 - privacy knob or lever

Double Door:

- 4 - 4" x 4" square corner hinge
- 2 - 4" x 4" square adjustable spring loaded hinges
- 1 - privacy knob or lever
- 2 - 6" surface bolts

Attaching Screen to the Doors

Unpack the door and remove the screen stop from the door. Once the doors and screen stop have been painted you can lay the screen over the opening. Starting at the middle top of the door, staple the screen into the rabbeted area. Then pull the screen taut to the top left and staple along the way. Then pull the tension towards the top right and staple again. Then pull the screen down to the very bottom of the opening, and staple in the bottom center. Follow the same method taut towards the left while stapling, and then the right. Then move to the left side of the door. Without pulling tension, staple from the bottom of the opening up. Repeat this on the right and final side. Reattach your screen stop and you're done!

[To view a video of this, please visit <https://youtu.be/UmQgmA2B5-4>]

QUESTIONS?

Please email us at porchstore@porchco.com or call us at 615-730-8067. We're here to help!